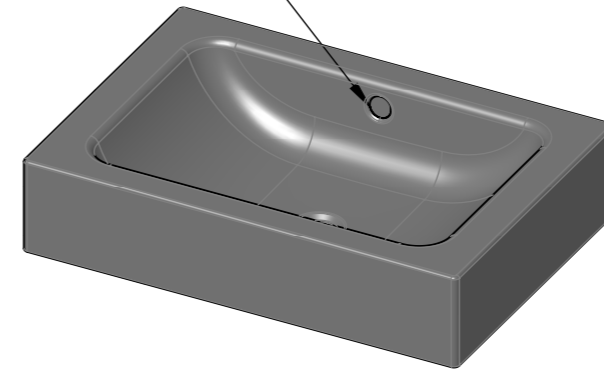
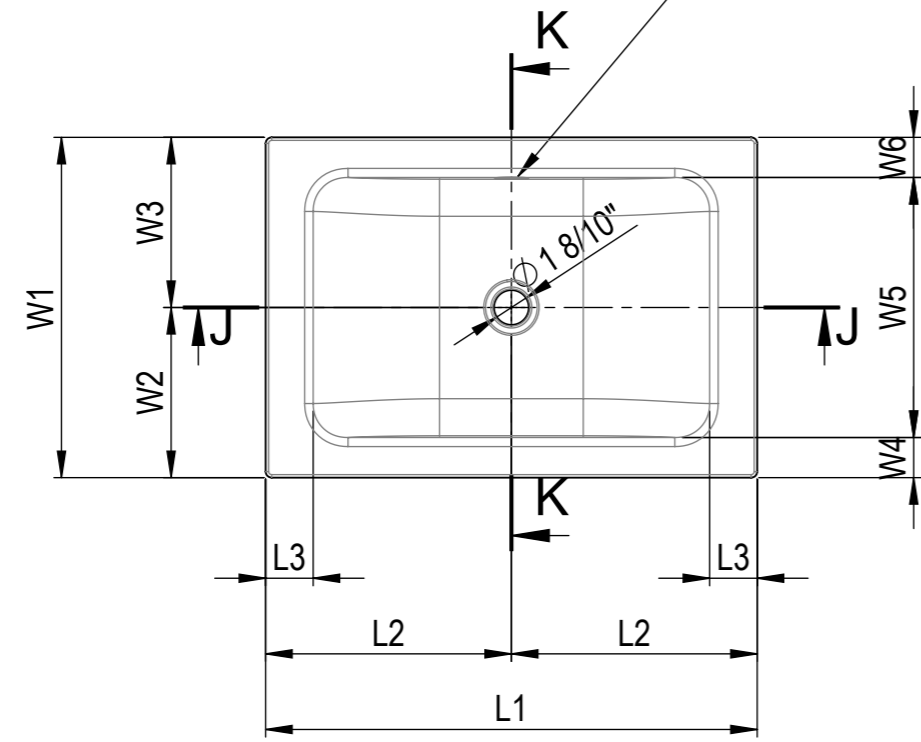


Optional with overflow hole 1410-0005

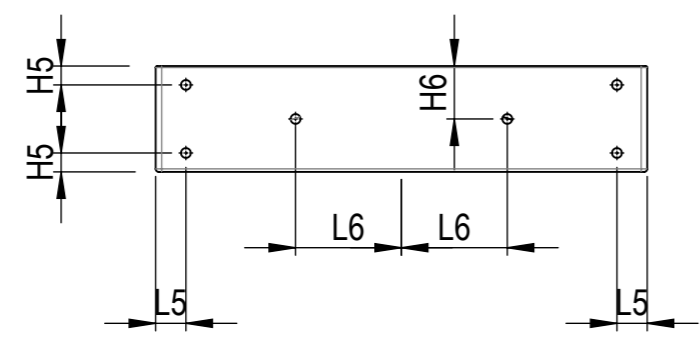


| | 1410-0003 1410-0005* | |
|----|-------------------------|---------|
| | mm | inch |
| L1 | 650 | 25 5/8 |
| L2 | 325 | 12 8/10 |
| L3 | 63 | 2 1/2 |
| L4 | 10 | 4/10 |
| L5 | 40 | 1 3/5 |
| L6 | 140 | 5 1/2 |
| W1 | 450 | 17 3/4 |
| W2 | 225 | 8 9/10 |
| W3 | 225 | 8 9/10 |
| W4 | 53 | 2 1/10 |
| W5 | 344 | 13 1/2 |
| W6 | 53 | 2 1/10 |
| H1 | 140 | 5 1/2 |
| H2 | 130 | 5 1/10 |
| H3 | 140 | 5 1/2 |
| H4 | 40 | 1 3/5 |
| H5 | 25 | 1 |
| H6 | 70 | 2 3/4 |

Glazed titanium steel

All Products are manufactured in the same place and go through the same processes.
Surface materials and steels are identical.

*Washbasin with overflow hole



| | | | | | | | | | | |
|--------------------------------------|---|---|-------------|-----------|---------------------|--------------------------------------|--------------|-------------------|------------------------------|-------------------------|
| Änderungen | a | 15.12.2014 | LB | Rand V+H | - | - | Erstellt | 09.11.2012 | LB | Massstab 1:10 |
| | b | 14.04.2016 | LB | ArtikelNr | - | - | Geprüft | | - | |
| | c | 14.04.2016 | LB | ZeichnuNr | - | - | Freigegeben | | - | |
| | d | 24.03.2017 | LB | overflow | - | - | Auftrags-Nr. | | | |
| Ohne sep. Stückliste | | <input type="checkbox"/> | SGVSB Nr. | | | | Status | | | |
| Sep. Stückliste gleicher Nr. | | <input type="checkbox"/> | ST Nr. | | | | Ursprung | | Format A3 | |
| Sep. Stückliste anderer Nr. | | <input type="checkbox"/> | Artikel-Nr. | | 1410-0003 1410-0005 | | Ersatz für | | Blatt / Anz. 2 / 2 | |
| Schmidlin www.schmidlin.ch | | Schmidlin CONTURA wall-mounted 25 5/8"x17 3/4"x5 1/2" | | | | Zeichnungs-Nr. 01.002.0340 | | Index d | | CAD-System: SolidWorks |