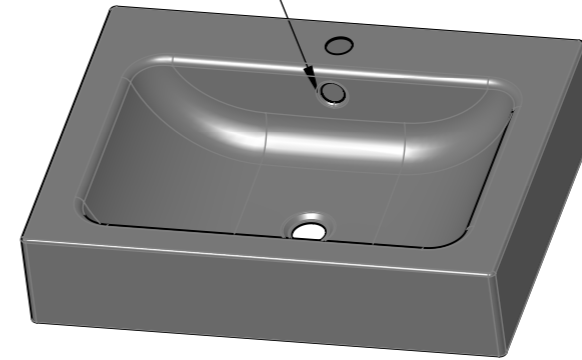


Optional with overflow hole 1576-0006



| 1576-0004<br>1576-0006* |     |         |
|-------------------------|-----|---------|
|                         | mm  | inch    |
| L1                      | 650 | 25 5/8  |
| L2                      | 325 | 12 8/10 |
| L3                      | 63  | 2 1/2   |
| L4                      | 10  | 4/10    |
| L5                      | 40  | 1 3/5   |
| L6                      | 140 | 5 1/2   |
| W1                      | 500 | 19 5/8  |
| W2                      | 225 | 8 9/10  |
| W3                      | 275 | 10 8/10 |
| W4                      | 53  | 2 1/10  |
| W5                      | 344 | 13 1/2  |
| W6                      | 103 | 4 1/20  |
| W7                      | 50  | 2       |
| H1                      | 140 | 5 1/2   |
| H2                      | 130 | 5 1/10  |
| H3                      | 140 | 5 1/2   |
| H4                      | 40  | 1 3/5   |
| H5                      | 25  | 1       |
| H6                      | 70  | 2 3/4   |

Glazed titanium steel

All Products are manufactured in the same place and go through the same processes. Surface materials and steels are identical.

\*Washbasin with overflow hole

|                                      |   |                          |  |           |                     |   |              |                                      |    |                         |  |
|--------------------------------------|---|--------------------------|--|-----------|---------------------|---|--------------|--------------------------------------|----|-------------------------|--|
| Änderungen                           | a | 15.12.2014               | LB   | Rand V+H  | -                   | - | Erstellt     | 30.11.2012                           | LB | Massstab<br><b>1:10</b> |  |
|                                      | b | 05.12.2016               | LB   | ArtikelNr | -                   | - | Geprüft      |                                      | -  |                         |  |
|                                      | c | 05.12.2016               | LB   | ZeichnuNr | -                   | - | Freigegeben  |                                      | -  |                         |  |
|                                      | d | 24.03.2017               | LB   | overflow  | -                   | - | Auftrags-Nr. |                                      |    |                         |  |
| Ohne sep. Stückliste                 |   | <input type="checkbox"/> | SGVSB Nr.  |           | -                   |   | Status       |                                      |    |                         |  |
| Sep. Stückliste gleicher Nr.         |   | <input type="checkbox"/> | ST Nr.   |           | -                   |   | Ursprung     |                                      |    |                         |  |
| Sep. Stückliste anderer Nr.          |   | <input type="checkbox"/> | Artikel-Nr.  |           | 1576-0004 1576-0006 |   | Ersatz für   |                                      |    |                         |  |
| <b>Schmidlin</b><br>www.schmidlin.ch |   |                          | <b>Schmidlin CONTURA wall-mounted</b><br>25 5/8"x19 5/8"x5 1/2" with faucet hole |           |                     |   |              | Zeichnungs-Nr.<br><b>01.002.0347</b> |    | Index<br><b>d</b>       |  |