

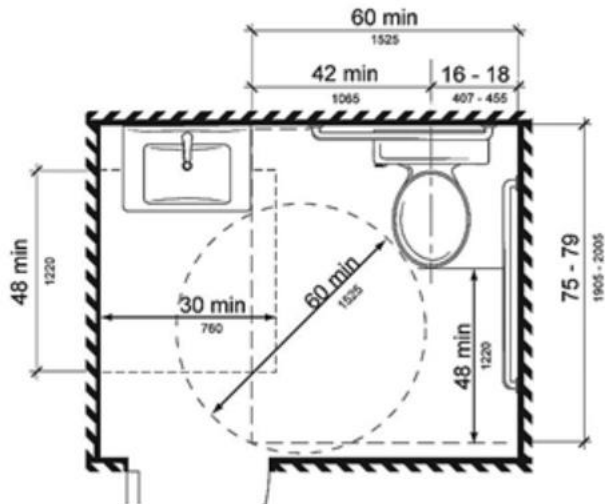
ADA compliance of Schmidlin Products

Please find the ADA standards under the following link:
<https://www.ada-compliance.com/ada-compliance/2010-ada-standards>

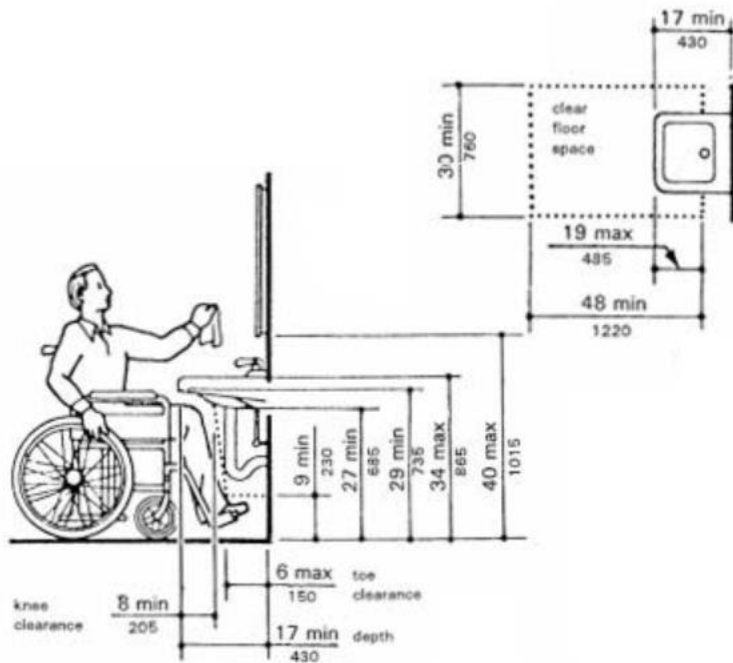
Schmidlin Washbasins

See Section 606 of the ADA Standards for written CIE-412-10855 requirements and diagrams to assist in specification.

General requirements in the bathroom layout:



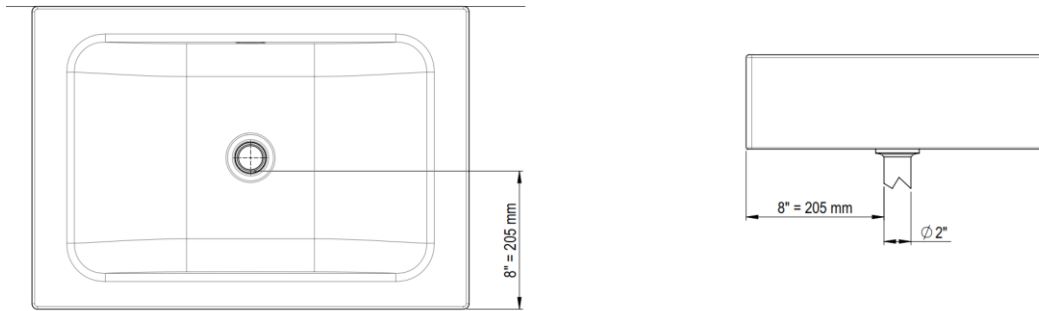
Requirements for the washbasin installation:



One key ADA requirement for wall-mounted lavatory washbasins is the maximum height of 34" from the finished floor (606.3). The required knee clearance (306.3) from the floor (up to 27" height) can be fulfilled with the Schmidlin wall-mount washbasins when installed on the correct height. The minimal required depth knee clearance from the front of the washbasin of 8" (306.3.3) can be fulfilled with all ORBIS and CONTURA wall-mounted washbasins. The ORBIS MINI does not fulfil this requirement.

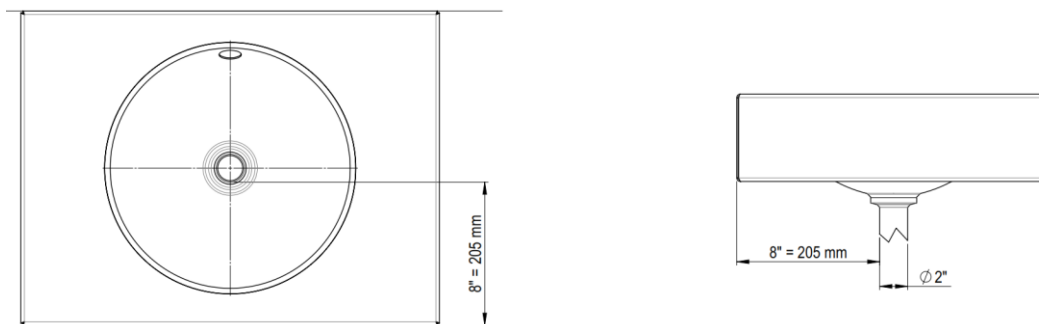
All **CONTURA** wall-mounted washbasins are ADA compliant.

CONTURA washbasin wall-mounted



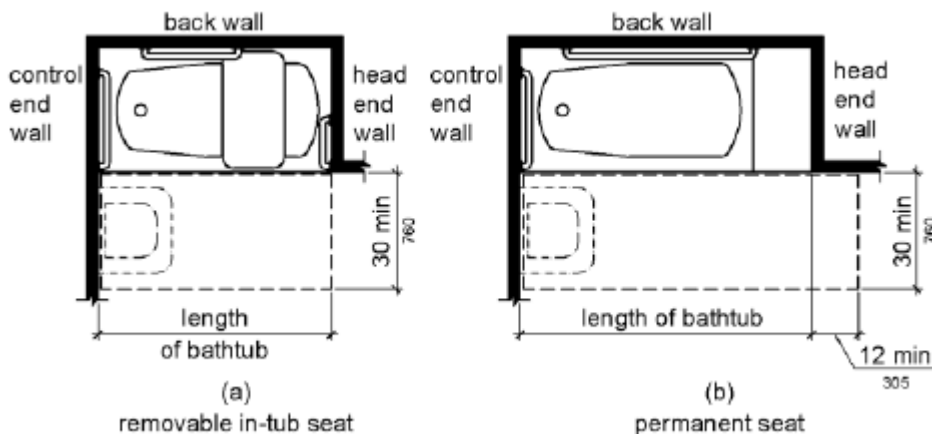
All **ORBIS** wall-mounted washbasins are ADA compliant.

ORBIS washbasin wall-mounted



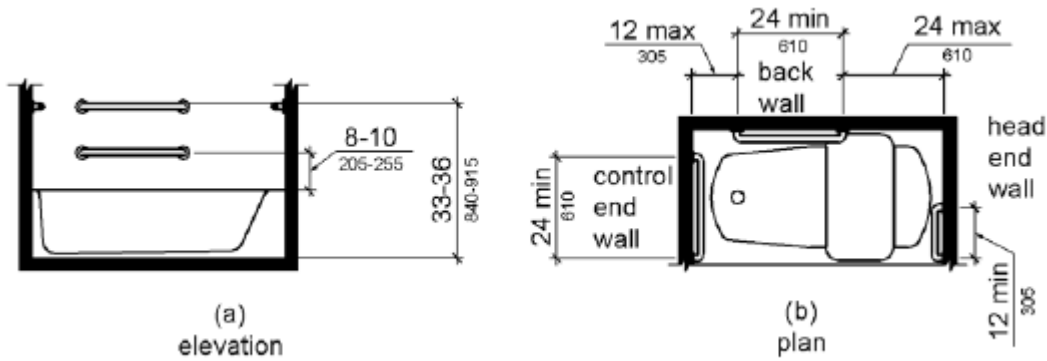
Schmidlin Bathtubs

See section 607 of the ADA standards for written requirements and diagrams to assist in specification. With Schmidlin **NORM CLASSIC** bathtubs the ADA requirements can be fulfilled once the bathroom layout is designed according the ADA standards. Requirements for the bathtub installation:



Clearance in front of bathtubs shall extend the length of the bathtub and shall be 30 inches (760 mm) wide minimum.

A permanent seat at the head end of the bathtub or a removable in-tub seat shall be provided. Seats shall comply with 610.

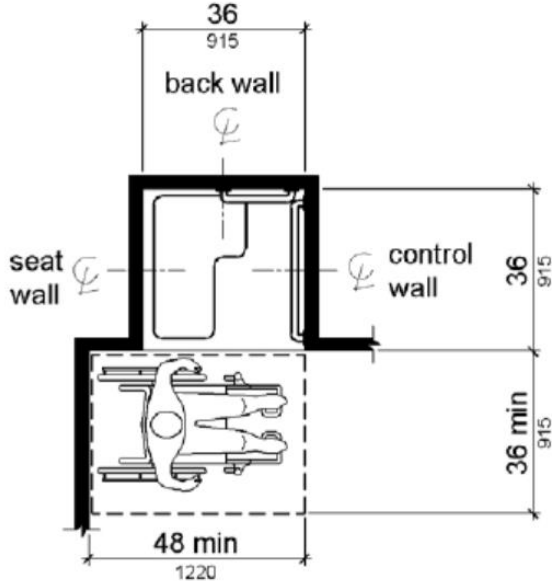


Grab bars for bathtubs shall comply with 609 and shall be provided in accordance with 607.4.1 or 607.4.2.

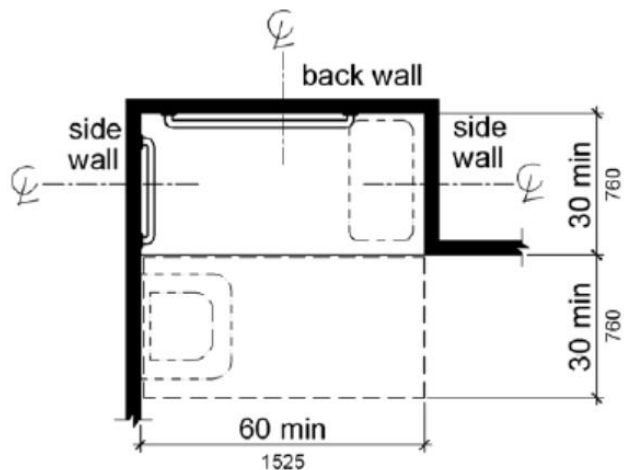
Schmidlin Shower bases

ADA standards separate two types of shower bases: "Transfer bases" are designed to allow easy transfer from a wheelchair to an ADA seat, while "Roll-In bases" allow for the full wheelchair to enter the shower.

When installed correctly all shower bases "super flat" of the sizes 60"x30½", 60"x32" and all sizes between 36"x36" to 60"x40" are ADA compliant as "Roll-In bases" and meet current ADAAG 2010 and ANSI A117.1 guidelines.



Note: inside finished dimensions measured at the center points of opposing sides



Note: inside finished dimensions measured at the center points of opposing sides

See Section 608 of the ADA standards for written requirements and diagrams to assist in specification.